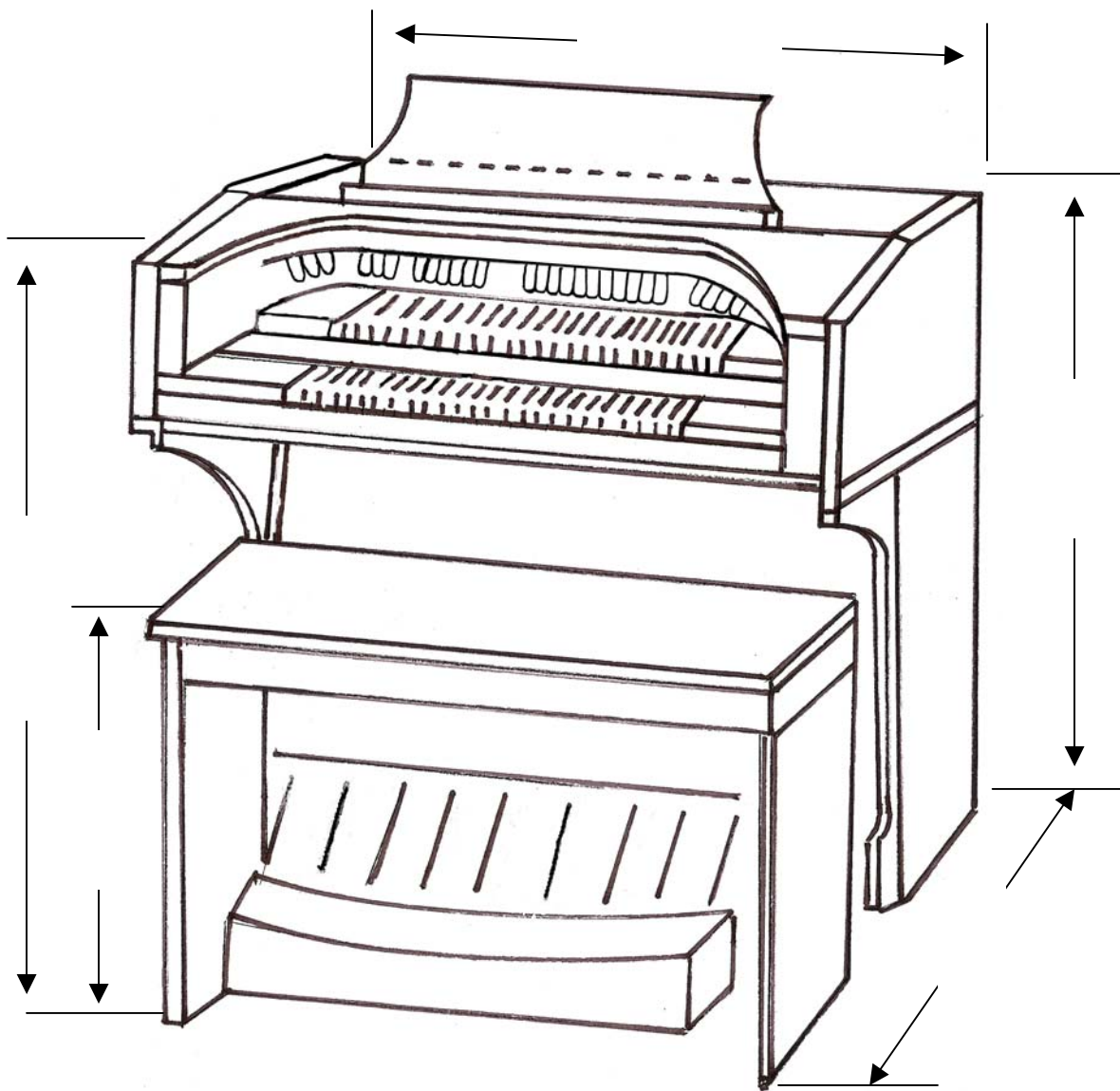


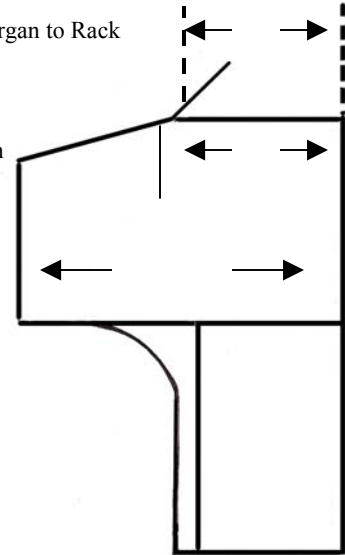
WORKSHEET FOR CUSTOM ORGAN COVER



Distance: Back of Organ to Rack

Depth: Top of Organ

Depth: Of Organ



ORGAN INFORMATION

Make: _____

Model Number: _____

Spinet

Console

25 Pedal Notes

32 Pedal Notes

Does the Music Rack fold down? Yes No

IF NOT:

Give width of rack: _____

Give placement of rack: _____
(Distance in from each side)